



SK-TL3000 / SK-TL3700 / SK-TL5000

A QUALITY INVERTER

SK-TL3000 / SK-TL3700 / SK-TL5000

When looking for a quality stand alone inverter that boasts performance that allows you to gain the most from your feed-in-tariff, the Sunbank TL- 3000 Series is a guaranteed investment.

SELF-USE ENERGY STORAGE SYSTEM

SK-SU3000 / SK-SU3700 / SK-SU5000

Remove your independence from traditional power providers considering the intelligent Sunbank SU3700 Series with charger.

As we know, Solar panels generate the most energy during the day when the sun is shining and when you and your family tend to use the least energy or have the lowest consumption levels.

With ongoing increases in energy prices and the continual decrease of the feed-in-tariff, you must make the most out of your solar energy. Our X-Hybrid 'Self-use Energy Storage System' is the perfect solution to solve this problem and to get the most out of your solar energy both today and into the future. Our Hybrid solution makes it possible to utilise solar power time-independently by storing unused capacity. It converts and directs solar power to where it is needed, when it is needed.

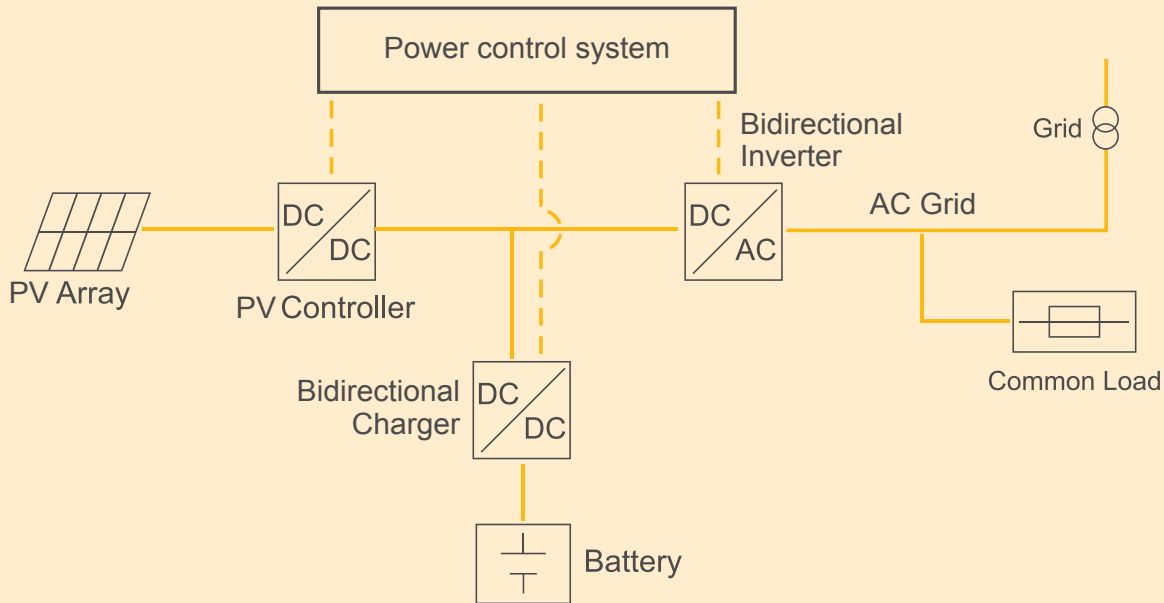


SK-SU3000 / SK-SU3700 / SK-SU5000 WITH CHARGER

WORKING THEORY

Sunbank Self-use Energy Storage System converts DC electricity generated by solar panels to AC electricity for grid and load to DC for the battery.

The electricity will be provided for load first, and the excessive electricity will be stored in the battery, after the battery is fully charged, the electricity will be fed into the grid.



X-HYBRID ADVANTAGES

COMPARED TO TRADITIONAL GRID-TIED SOLAR SYSTEM

- Save money on your power bills by increasing the proportion of self-use electricity generated by your solar system from 30% to more than 70%.
- Save money by becoming independent from ever increasing energy prices.
- Reduce stress on the grid by reducing your solar power feed.

COMPARED TO OTHER BRANDS

Reliable

- European, American and Japanese made key components.

Efficient

- Highly effective solar power utilisation and long battery life by intelligent designed charging module.

User-friendly

- Intelligent man-machine interaction mode.



POWER WHEN YOU NEED IT.

Sunbank Solar Inverter For Self-Use

MODEL	SK-SU3000	SK-SU3700	SK-SU5000
► Input (DC)			
Max. recommended DC power [W]	3300	4000	5000
Max. DC voltage[V]	550		
Nominal DC operating voltage[V]	360		
MPPT voltage range [V]	125-530		
Max. input current [A]	12/12	12/12	12/12
Max. short circuit current [A]	15/15	15/15	15/15
Number of MPP trackers	2	2	2
Strings per MPP tracker	1	1	1
► Output (AC)			
AC nominal power [W]	3000	3680	4600
Nominal AC voltage; range [V]	230VAC 50Hz; 180~270VAC		
AC nominal current [A]	13	16	20
Max. AC current [A]	14.4	16	22.1
Total harmonic distortion (THD)	<3%		
Power factor (rated power)	1		
Displacement Power Factor	0.95 overexcited...0.95 underexcited		

Table continued overleaf

Sunbank Solar Inverter For Self-Use (continued)

MODEL	SK-SU3000	SK-SU3700	SK-SU5000
► Battery Manager			
Battery type	Lead-acid battery/lithium battery		
Battery nominal voltage [V]	48		
Charger expansion	support up to 3 external expansions		
Max. charging current [A]	25~100 depends on No. of chargers		
Charging curve	3-stage adaptive with maintenance		
Over-current protection/Over-temperature protection	YES		
Communication interfaces	Can/RS232		
► Charge			
Max.power[W]	1300		
Max.charge current[A]	25		
Max.charge efficiency	93%		
Depth of discharge	80%(adjustable)		
► Discharge			
Max.power[W]	1300		
Max.discharge current[A]	25		
Max.discharge efficiency	93%		
► Efficiency			
MPPT efficiency	99.9%	99.9%	99.9%
Euro-efficiency	97.0%	97.0%	97.0%
Max. efficiency	97.6%	97.6%	97.6%
Standby losses	<3W		
► Display			
LCD	Backlight 16*4 character		
Communication interfaces	Ethernet/Dry contact (wifi optional)		
LED light	4		
Button	4		
► Others			
DC switch	Integrated		
Operating temperature range [°C]	-20~+50 (derating at 40)		
Storage stability range [°C]	-20~+60		
Altitude [m]	<2000		
Cooling concept	Forced airflow		
Noise emission (typical) [dB]	<40		
Humidity [%]	0~90 (non-condensing)		
Degree of protection	IP20 (for indoor use)		
Overvoltage category	III (electric supply side), II (PV side)		
EMC	IEC61000-6-1/2/3/4		
Topology	Transformer-less		
Warranty	Standard 5 years		
Dimensions (W / H / D) [mm]	635 x 520 x 150		
Weight [kg]	25		
Certificate	Germany, Australia, Belgium, Netherlands, Denmark, Austria		

Sunbank Battery Manager Unit

MODEL	SK-BMU1300
► Battery Manager	
Battery type	Lead-acid battery/lithium battery
Battery nominal voltage [V]	48
Charger expansion	support external expansion
Max. charging current [A]	25~100 depend on No. of chaegers
Charging curve	3-stage adaptive with maintenance
Over-current protection/Over-temperature protection	YES
Communication interfaces	Can/RS232
► Charge	
Max.power[W]	1300
Max.charge current[A]	25
Max.charge efficiency	93%
Depth of discharge	80%(adjustable)
► Discharge	
Max.power[W]	1300
Max.discharge current[A]	25
Max.discharge efficiency	93%
► Others	
Operating temperature range [°C]	-20~+50 (derating at 40)
Storage stability range [°C]	-20~+60
Altitude [m]	<2000
Cooling concept	Forced airflow
Noise emission (typical) [dB]	<40
Humidity [%]	0-90 (non-condensing)
Degree of protection	IP20 (for indoor use)
EMC	IEC61000-6-1/2/3/4
Warranty	Standard 5 years
Dimensions (W / H / D) [mm]	200 x 520 x 150
Weight [kg]	10
Certificate	Germany, Australia,Belgium, Netherlands, Denmark, Austria

Sunbank Solar Inverter

MODEL	SK-TL3000	SK-TL3700	SK-TL5000
► Input (DC)			
Max. recommended DC power [W]	3300	4000	5000
Max. DC voltage[V]	550		
Nominal DC operating voltage[V]	360		
MPPT voltage range [V]	125-530		
Max. input current [A]	12/12	12/12	12/12
Max. short circuit current [A]	15/15	15/15	15/15
Number of MPP trackers	2	2	2
Strings per MPP tracker	1	1	1
► Output (AC)			
AC nominal power [W]	3000	3680	4600
Nominal AC voltage; range [V]	230VAC 50Hz; 180~270VAC		
AC nominal current [A]	13	16	20
Max. AC current [A]	14.4	16	22.1
Total harmonic distortion (THD)	<3%		
Power factor (rated power)	1		
Displacement Power Factor	0.9 overexcited...0.9 underexcited		
► Efficiency			
MPPT efficiency	99.9%	99.9%	99.9%
Euro-efficiency	97.0%	97.0%	97.0%
Max. efficiency	97.6%	97.6%	97.6%
Standby losses	<3W		
► Display			
LCD	Backlight 16*4 character		
Communication interfaces	Ethernet/Dry contact (wifi optional)		
LED light	4		
Button	4		
► Others			
DC switch	Integrated		
Max No. of supported External expansion	4		
Operating temperature range [°C]	-20~+50 (derating at 40)		
Storage stability range [°C]	-20~+60		
Altitude [m]	<2000		
Cooling concept	Forced airflow		
Noise emission (typical) [dB]	<40		
Humidity [%]	0~90 (non-condensing)		
Degree of protection	IP20 (for indoor use)		
Overvoltage category	III (electric supply side), II (PV side)		
EMC	IEC61000-6-1/2/3/4		
Topology	Transformer-less		
Warranty	Standard 5 years		
Dimensions (W / H / D) [mm]	635 x 520 x 150		
Weight [kg]	25		
Certificate	Germany, Australia, Belgium, Netherlands, Denmark, Austria		