



10-year guarantee for 100% product performance



12-year guarantee for 90% rated power



25-year guarantee for 80% rated power



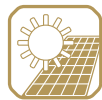
ECO LINE

60/240 – 250 W

Monocrystalline module family



Longlife tested



Power proofed



Safety provided



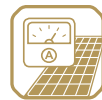
Selection of components



Cross-linking degree test



Performance surplus of 1.5 to 6.5 Wp



Imp sorting



Special packing to avoid micro cracks in the cells



German warrantor

The 60-cell module is the large-size all-rounder among the Luxor modules. Eco in this case means especially economical: The high wattage makes the module the ideal solution for industrial scale equipments. From the open-field facilities, through the tracking system, to the roof-mounted installation. High-quality solar cell with an efficiency up to 18.1% at the best possible low light behaviour ensure the best energy output. And this at plus tolerances of 1.5 to 6.5 Wp.

Exemplary in the manufacturing quality, too: An especially durable plug-in connection guarantees the best power contact under all conditions, and the hollow-section frame made of anodised aluminium and compatible with every assembly system, is torsionally stiff and corrosion-free. Manufactured according to German standards and under the strict eyes of our engineers, each Luxor photovoltaic module is marked by a special level of durability and reliability.

ECO LINE ECO LINE 60/240 - 250 W

Monocrystalline module family

Electrical data	LX-240M	LX-245M	LX-250M
Rated power P _{mpp} [Wp]	240.00	245.00	250.00
P _{mpp} range	241.50 - 246.49	246.50 - 251.49	251.5 - 256.49
Rated current I _{mpp} [A]	7.95	8.04	8.13
Rated voltage V _{mpp} [V]	30.22	30.48	30.74
Short-circuit current I _{sc} [A]	8.45	8.53	8.61
Open-circuit voltage [V]	37.21	37.31	37.41
Efficiency at STC	14.75%	15.06%	15.37%
Efficiency at 200 W/m ²	13.87%	14.15%	14.48%
NOCT [°C]	45 ± 2°C	45 ± 2°C	45 ± 2°C

Specification as per STC: 1000 W/m², 25°C, AM 1.5 / STC irradiance: 1000 W/m²,
Module temperature: 25°C, AM=1.5 | NOCT: 47°C

Limiting values	LX-240M / LX-245M / LX-250M
Max. system voltage [V]	1000 V
Max. return current [I]	15 A
Temperature range	-40 to 85°C
Snow-load zone ¹	approval up to SLZ 3 (according to DIN 1055)
Max. pressure load (static)	5400 Pa

Temperature coefficient	LX-240M / LX-245M / LX-250M
Temperature coefficient [V] [I] [P]	-0.34% /°C 0.05% /°C -0.45% /°C

Specifications	LX-240M / LX-245M / LX-250M
Number of cells (matrix)	6 x 10, three strings in a row
Cell size	156 mm x 156 mm
Module dimensions (L x W x H) ² Weight	1,640 mm x 992 mm x 45 mm 21.0 kg
Front-side glass	3.2 mm hardened solar glass with low iron content
Frame	stable, anodised aluminium frame in a hollow-section design
Socket	plastic (PPO), IP65, ventilated and strain-relieved
Cable	4 mm ² solar cable, cable length 1.0 m
Plug-in connection	high-quality plug-in system, (IP65) MC4 or equivalent
Hail test (max. hailstorm)	∅ 45 mm impact velocity 23 m/s
General technical approval	classified according to DIN EN 13501-5 as B _{ROOF} (t1)

Packing	LX-240M / LX-245M / LX-250M
Packing unit	22 modules, 2 I _{mpp} classes 28 PU/40' container
Dimensions (L x W x H) Weight	174 cm x 114 cm x 121 cm 538 kg gross

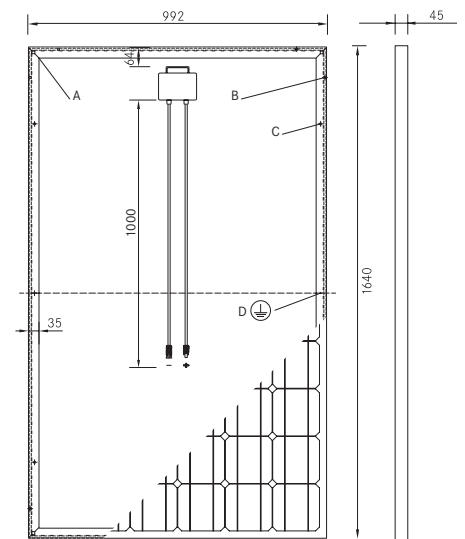
The specifications and average values can vary slightly. Decisive is the corresponding data of the individual measurement. Specifications are subject to change without notice. Status: May 2010, measurement tolerance: rated power +/- 4%, other values +/- 10%, all information in this data sheet corresponds to DIN 50380, other information to be found in the installation guidelines

1 For standing installation

2 Tolerance L/W = +/- 3 mm, H = the dimensions given in the order confirmation will be decisive

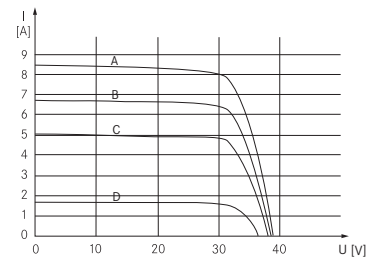
3 Location on request

Back view/ Front view/ Side view²

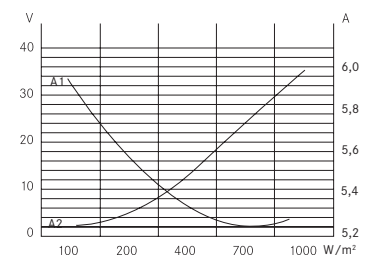


- A: 4 x drainage 10*10 mm
- B: 8 x ventilation aperture d = 7 mm
- C: 8 x mounting hole d = 7 mm³
- D: 2 x earthing d = 2 mm

Characteristics



- A: 1000 W/m² | B: 800 W/m²
- C: 600 W/m² | D: 200 W/m²



- A1: I_{mpp} | A2: V_{mpp}

Luxor, your specialised company

Guidelines:
2006/95/EG - 2006/95/EC
89/336/EEG - 89/336/EEC
93/68/EEG - 93/68/EEC



Printed on Recycstar Polar,
recycling paper with
FSC certificate and the
"Blue Angel" eco-label.



ClimatePartner®
klimaneutral
gedruckt

Zertifikatsnummer:
778-53212-0511-1068
www.climatepartner.com